




















STEERING KIT

USER INSTRUCTIONS

FOR LITE AND STURDY



PLEASE READ BEFORE USING THE PRODUCT

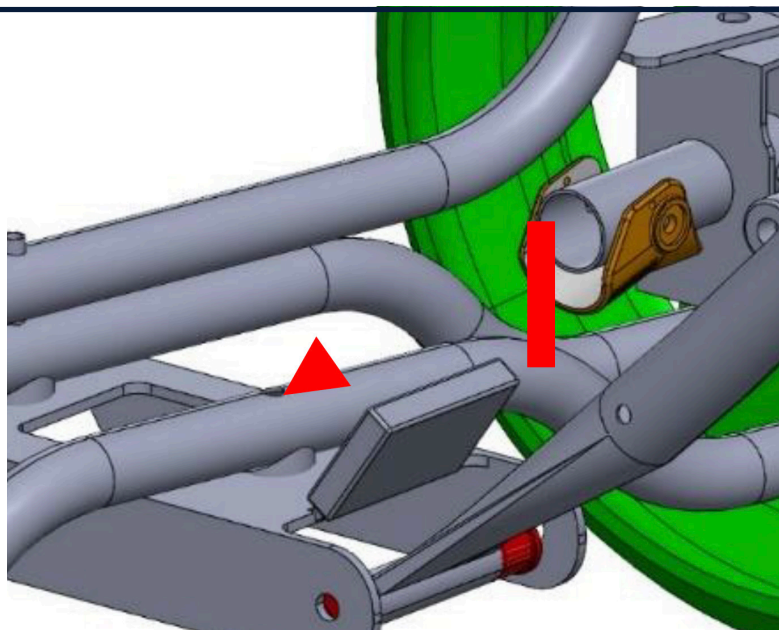
-  **WARNING!** A child's safety is your responsibility.
-  **WARNING!** Read the instructions BEFORE use.
Keep these instructions for future reference.
-  **WARNING!** Never leave a child unattended.
It may be dangerous to leave your child unattended.
-  **WARNING!** This wagon is not intended for children under 3 years.
-  **WARNING!** Maximum load of the BEACHWAGON LITE is 80 KG.
Never overload.
-  **WARNING!** Never let a person stand in the wagon.
-  **WARNING!** This wagon is not suitable for running or skating.
-  **WARNING!** Assembly of the BEACHWAGON LITE by adults only!
-  **WARNING!** This wagon should be used with caution, since skill is required
to avoid falls or collisions causing injury to the user or third parties!
-  **WARNING!** Do not attach the wagon to any other vehicle, car, bicycle, motor or animal.
Do not use on highway. Only use for walking. Maximum speed 10 KM per hour.
-  **WARNING!** Always use this wagon with care to avoid injury, falling and collision.
-  **WARNING!** Always divide the load evenly over the wagon.
Overloading on one side might cause tilting of the wagon.
-  **WARNING!** When the wagon is used in the sun, there is a hazard of sun burn.
Use sun protection for children.
-  **WARNING!** Keep flames and heat away from the wagon.
-  **WARNING!** This wagon requires regular maintenance by the user.
See the maintenance instruction in this manual.
-  **WARNING!** Ensure that all accessories are engaged/constructed according
the advised instructions in the manual of these accessories before use.
-  **WARNING!** To avoid injury ensure that your child is kept away from the wagon
when unfolding and folding this wagon.
-  **WARNING!** Keep plastic covers and bags away from children to avoid suffocation
and hazard.
-  **WARNING!** Children should be kept on a distance of moving parts while
making adjustments.

INSTRUCTIONS

CURRENT SITUATION

The current situation is shown in the image on the right. The bolts, nuts, and washers are not depicted.

The most common failure mechanism is the breaking of the pop rivet indicated by the red arrow.



STEP 1 (OPTIONAL)

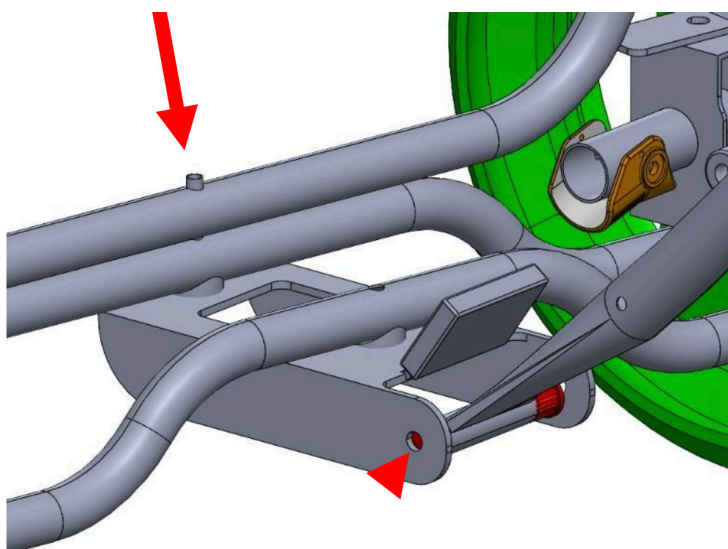
If the pop rivet shown in the above image is not broken, it must be removed by drilling it out from the bottom. This can be done using a sharp metal drill bit that is larger than the diameter of the pop rivet.

STEP 2

Remove all bolts indicated by the red arrows. Keep all fasteners in a safe place.

STEP 3

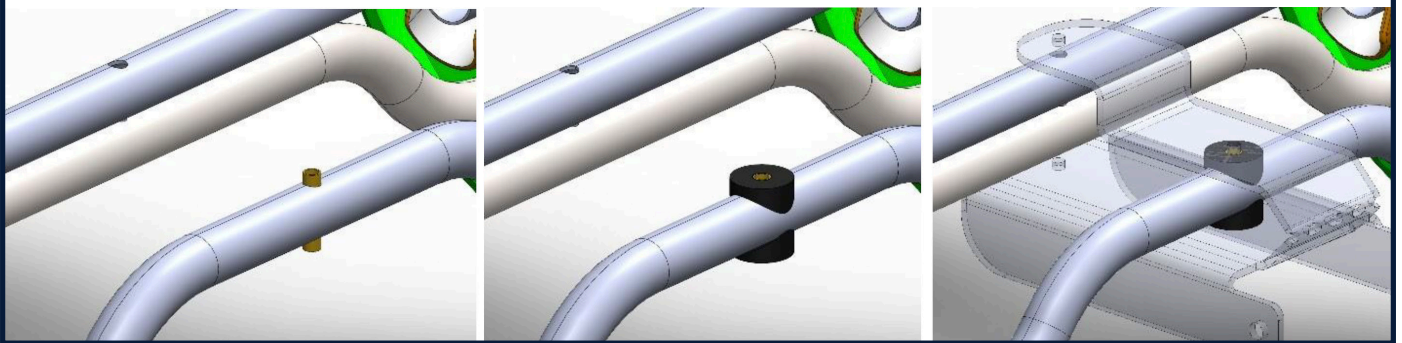
If everything went well, the tie rod should now be detached from the bracket and the bracket can be removed.



INSTRUCTIONS

STEP 4

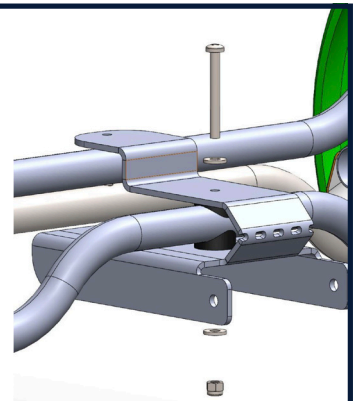
Insert the small bushing into the front tube. Then, place 2 plastic spacers over the bushing and slide the new bracket over the spacers and bushing. (The new bracket may have a slightly different shape than shown below)



STEP 5

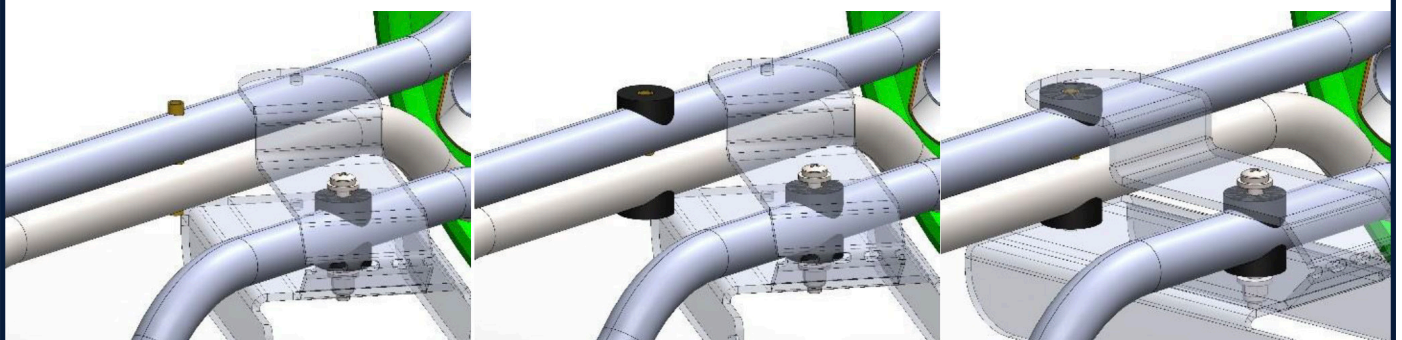
Place the M5 bolt, locking nut, and two washers as shown on the right.

Tighten by hand.



STEP 6

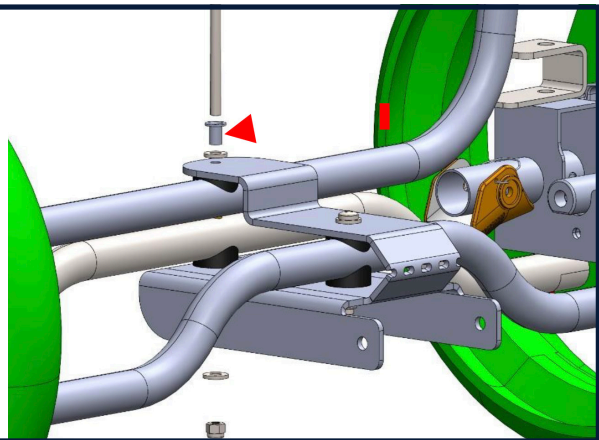
Rotate the bracket so that it is out of the way. Insert the long bushing into the two rear tubes. Then, place the two plastic spacers over the bushing. Rotate the bracket back over the bushing and spacers.



UNFOLDING

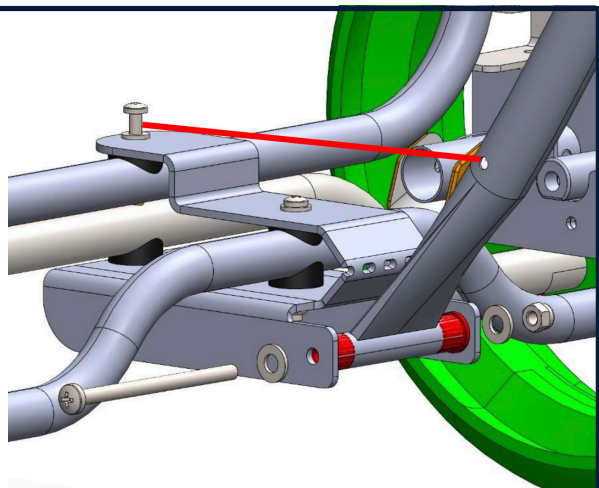
STEP 7

Insert (from top to bottom) the M5 bolt, bushing, M5 washer, the other M5 washer, and the M5 locking nut. The steering rod tension spring must be attached at the position indicated by the red arrow.



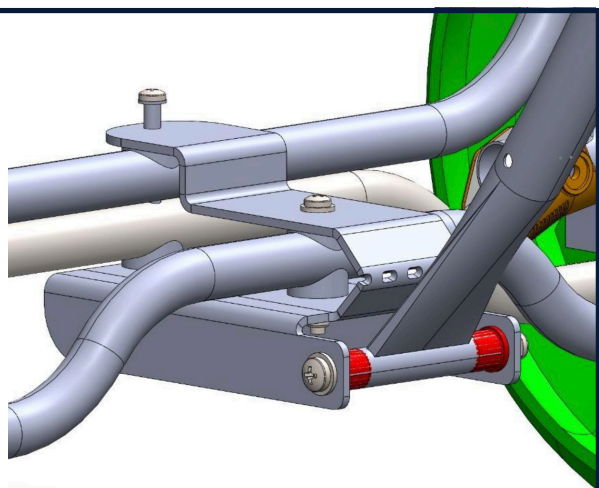
STEP 8

Next, reattach the steering rod using an M6 bolt, 2 M6 washers, and an M6 locking nut. These can be tightened immediately. If everything went well, the tension spring should now run from the top of the bracket to the tie rod. (indicated by the red line in the image on the right)



STEP 9

Tighten the two locking nuts underneath the bracket. The result should look like the image on the right.



YOU'RE ALL DONE!

ENJOY YOUR NEW BEACHWAGON!





**BE SURE TO CHECK OUT OUR WIDE
RANGE OF ACCESSOIRES!**



**AND MUCH MORE AT
WWW.BEACHWAGONSTROLLERS.COM**